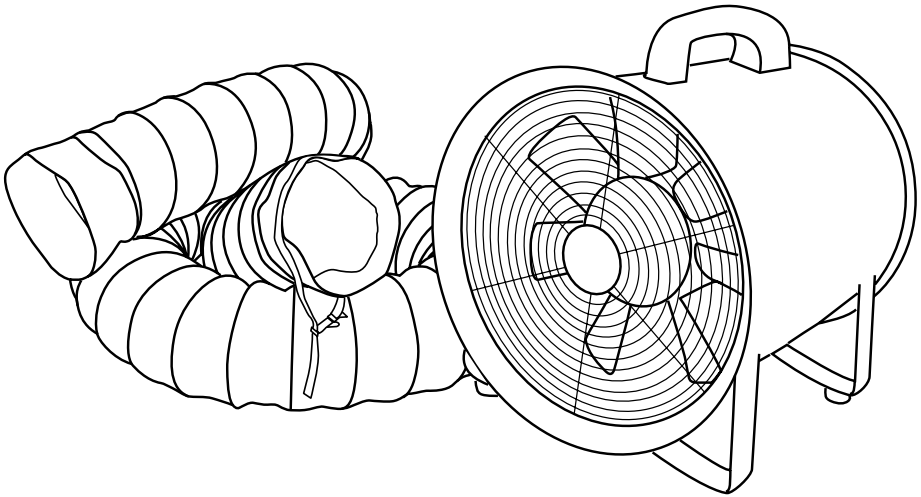


DETROIT®

VENTILATION FAN & 5m HOSE

Part #: DPV30



TO PREVENT SERIOUS INJURY, READ
AND UNDERSTAND ALL WARNINGS
AND INSTRUCTIONS BEFORE USE.

**OPERATING
INSTRUCTIONS**

SPECIFICATIONS

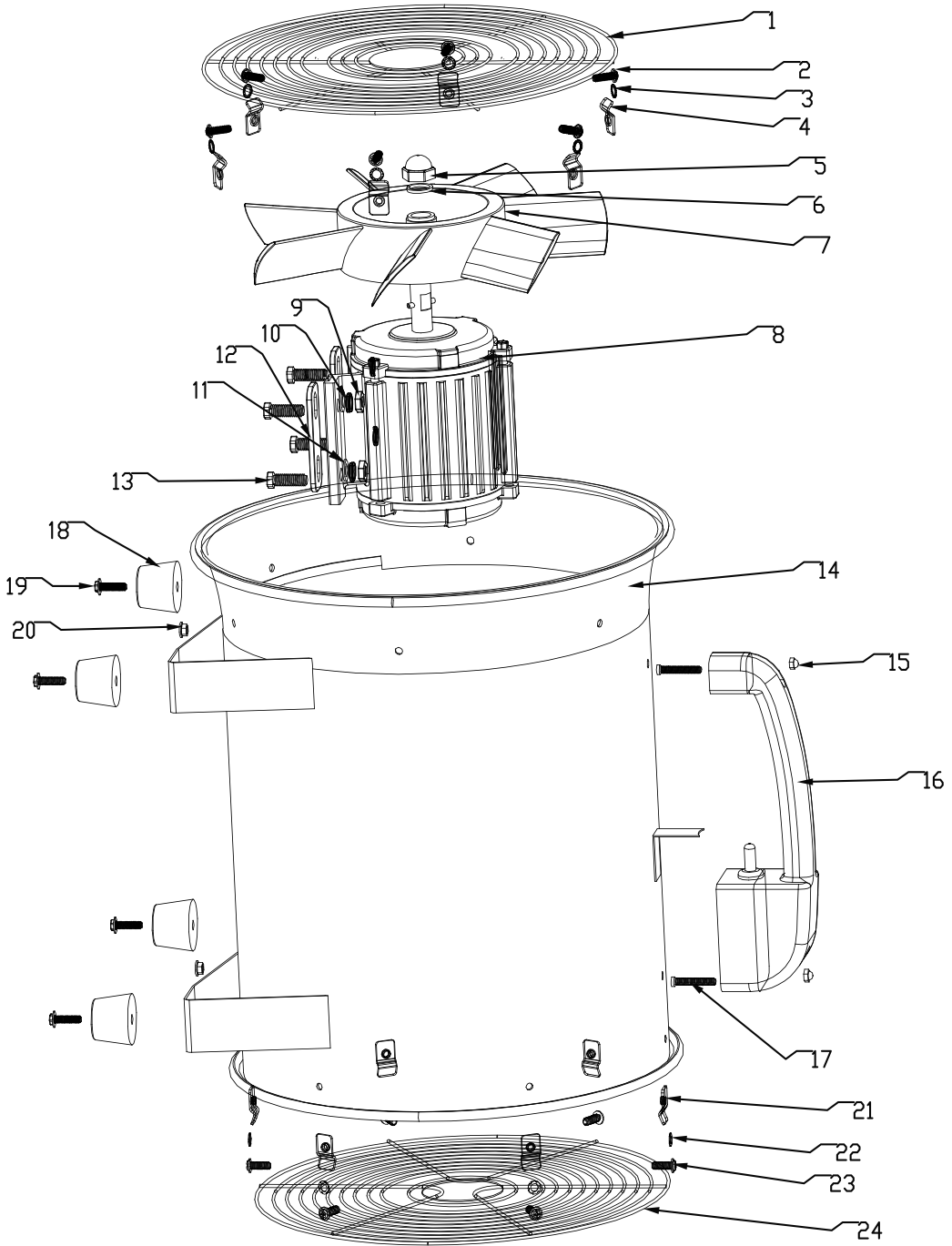
Model	Description	Size (mm)	Volt (V~)	Freq (Hz)	Watts (W)	Air Flow (m ³ /min)
DPV30	Ventilation Fan	300	220-240	50/60	350	63

SAFETY INSTRUCTIONS

- This product is intended for indoor use only.
- Always operate the product from a power source of the same voltage, frequency and rating as indicated on the product identification plate.
- To reduce the risk of electric shock, do not use this fan with any solid state speed control device.
- This appliance is not intended for use by persons (including children) with reduced physical, sensory or mental capabilities, or lack of experience and knowledge, unless they have been given supervision or instruction concerning use of the appliance by a person responsible for their safety.
- Children should be supervised to ensure that they do not play with the appliance.
- Do not insert fingers or any other foreign object through the front and rear guard and into the blade.
- Close supervision is necessary when any product is used by or near children or infirm persons. Do not allow children to use it as a toy.
- Do not operate any product with a damaged cord or plug, after the product malfunctions, is dropped or appears damaged in any way. Return the complete product to the place of purchase for inspection, repair or replacement.
- If the supply cord is damaged, it must be replaced by the manufacturer, its service agent or similarly qualified persons in order to avoid a hazard.
- To reduce the risk of electric shock, do not immerse or expose the product or flexible cord to rain, moisture or any liquid.

- This product should not be used in the immediate vicinity of water, such as sinks, bathtub, washbowls, swimming pool etc. where the likelihood of immersion or splashing could occur.
- Switch off and unplug from outlet when not in use, before assembling or disassembling parts and before cleaning. Fully assemble the fan before switching on.
- Avoid contact with moving parts. Do not insert any object through the grill when the fan is operating.
- Do not cover the grill, or operate in close proximity to curtains, etc.
- Always disconnect the fan when moving it from one location to another.
- The use of attachments or accessories not recommended or sold by the product distributor may cause personal or property hazards or injuries.
- Never attempt to make any modifications to or repair the product yourself. Have it repaired by a qualified person only.
- Place the appliance on a flat and dry surface.
- Manufacturer takes no responsibility for any damage caused by incorrect use.
- Precautions must be taken to avoid the back-flow of gases into the room from the open flow of gas or other fuel-burning appliances.
- Ensure that the ventilator is earthed.
- Do not use in or near a flammable or explosive environment to prevent fire hazards, property damage and injuries.
- Ensure the power is switched off and unplug from the supply before removing the safety grill for maintenance tasks.
- Clean plastic parts with a moist cloth and dry it before use.

PARTS LIST

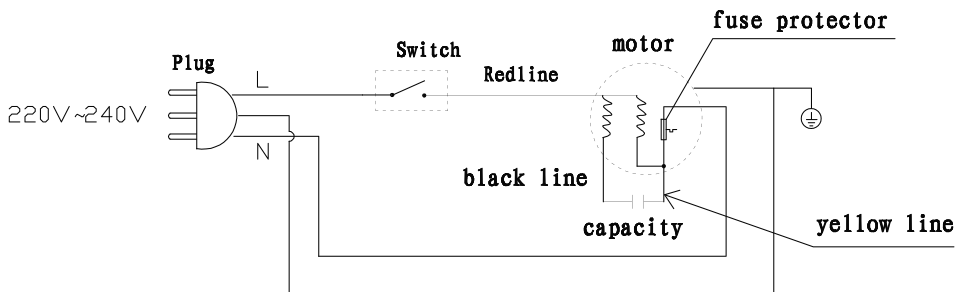


PARTS LIST Cont.

Item	Part No.	Description
1	DPV3001	Grill Cover
2	DPV3002	Screw
3	DPV3003	Screw
4	DPV3004	Grill screw
5	DPV3005	Capped screw
6	DPV3006	Blade screw
7	DPV3007	Blade
8	DPV3008	Motor
9	DPV3009	Motor screw
10	DPV3010	Screw
11	DPV3011	Screw
12	DPV3012	Support

Item	Part No.	Description
13	DPV3013	Motor screw
14	DPV3014	Outer barrel
15	DPV3015	Handle screw
16	DPV3016	Handle
17	DPV3017	Screw
18	DPV3018	Support
19	DPV3019	Screw
20	DPV3020	Screw
21	DPV3021	Grill screw
22	DPV3022	Screw
23	DPV3023	Screw
24	DPV3024	Grill cover

ELECTRICAL DIAGRAM



VENTILATION HOSE

1. Your DPV30 Ventilation fan comes with a 5m Ventilation hose (DBR512).
2. This simply ties onto the fan and allows the operator to exhaust heat, gases or moisture away from a work area.
3. 5m Ventilation hose (DBR512) is also available separately as an accessory to extend beyond 5m.

OPERATION

1. Make sure the Fans voltage is in accordance with local voltage before use. Note that the fan is recommended for use in ordinary indoor situations, but not at high humidity.
2. Attach the ventilation hose
3. Put the switch in ON position
WARNING the 5m Ventilation hose (DBR512) must be attached before turning on.
4. Unplug the fan when not in use.

ENVIRONMENT OF USE

1. The max relative humidity is 90% (when in 25°C).
2. Below 1000 metres altitude.

MAINTENANCE

- Ventilator is recommended for use in ordinary indoor situation, but not at high humidity.
- To ensure prolonged safe use ensure you have this unit inspected, cleaned & moving parts lubricated by a qualified person after every 1000 hours of use.
- Regularly inspect the cord & plug & do not use if damaged. A licensed electrician is required to repair or replace the cord & plug.
- Any other repairs or maintenance must be performed by a qualified person.



WARRANTY INFORMATION

This warranty is provided by Total Tools (Importing) Pty Ltd
20 Thackray Road, Port Melbourne, VIC 3207 (we, us, our).

Express warranty

Subject to the exclusions set out below, we warrant that this product will be free from defects in materials or workmanship for a period of 12 months from the date of purchase.

The benefits conferred by this warranty are in addition to all rights and remedies which you may be entitled to under the Australian Consumer Law, and any other statutory rights you may have under other applicable laws. This warranty does not exclude, restrict or modify any such rights or remedies.

Warranty exclusions

This express warranty does not apply where a defect or other issue with the product is caused by normal wear and tear, misuse or abuse of the product.

Consumer guarantees

Our goods come with guarantees that cannot be excluded under the Australian Consumer Law. You are entitled to a replacement or refund for a major failure and for compensation for any other reasonably foreseeable loss or damage.

You are also entitled to have the goods repaired or replaced if the goods fail to be of acceptable quality and the failure does not amount to a major failure.

Warranty claims

To make a claim under this warranty, you must bring the product along with the proof of purchase and any other documentary evidence which you think is relevant to the Total Tools' place of purchase where the claim will be handled on our behalf. Any cost incurred by you in bringing the product to the place of purchase will be borne by you.

To make a claim under this warranty, the product and proof of purchase must be returned to the Total Tools place of purchase during the warranty period specified above.

If your warranty claim is accepted, we (or the Total Tools store that handles the claim on our behalf) will, at our discretion, repair or replace the product, or refund money to you and take back the product.